

**STAINLESS  
STEEL  
HINGES**







HANGFAT was established in Jiangmen, China, 1994. It is a classic Chinese metal product brand with a history of 30 years.

We set product development, manufacturing and independent marketing in one, and always insist that the details are king. That is how we were born, grew and become powerful.

HANGFAT provide OEM/ODM service for our customers. Adequate machines and production lines can achieve a monthly production capacity of 800,000 pairs/set. Our product lines cover stainless steel handles, turn knobs, back plates, locksets, hinges and so on.

In the past years, HANGFAT stuck to the strict raw material inspection & acceptance standards and material distribution system. We continue to innovate production processes to reduce production spoilage, achieving better cost and quality control.

HANGFAT believes important people need more professional protection. All the important objects of protection can be "Safe, always around"!

**"PIONEER ROLE" -focus, professional, leading!**

## OUR TEAM

**Core belief:** Through expertise and love, for more space to achieve hand-in-hand security system.

**Mission:** Important people, need more professional guarding.

**Vision:** "Pioneer role"-Focus, Professional, Leading.

**Value:** All important objects of protection can be "Safe, always around".





江门恒發金屬

 **HANGFAT**  
METAL

Take Safety with You

把握安全，常伴左右

**TAKE SAFETY  
WITH YOU**



# DETAILS ARE KING

HANGFAT was established in Jiangmen, China, 1994.  
It is an classic Chinese metal product brand with a  
history of 30 years.

We set product development, manufacturing and  
independent marketing in one, and always insist that  
the details are king.

That is how we were born, grew and become powerful.

---

# AUTOMATION MORE PROFESSIONAL

HANGFAT has technicians with decades of industry experience  
Their production precision is close to the machine.  
But for this "close",  
We insist on introducing dozens of new & advanced machines.

---

3D automatic welding machine is highly efficient and accurate, ensuring uniform, stable and beautiful appearance of each solder joint;  
Automatic polishing machine for every detail of the product has a delicate, smooth texture, and shiny;  
Laser marking machine, high-speed, exquisite lines, to ensure the quality of our products and production capacity;

.....

We are always dedicated to speciality and meticulousness, perfecting every detail and making every product reliable.





# QUALITY IS MARKET

HANGFAT provide OEM/ODM service for our customers. Adequate machines and production lines can achieve a monthly production capacity of 800,000 pairs/set. Our product line covers stainless steel handles, turnknobs, back plates, locksets, hinges and so on.

---

In the past 30 years, HANGFAT stuck to the strict raw material inspection & acceptance standards and material distribution system. We follow the principle of first-in, first-out in inventory control. 12 quality inspection processes ensure that each product undergoes rigorous testing before it can be distributed on the market.

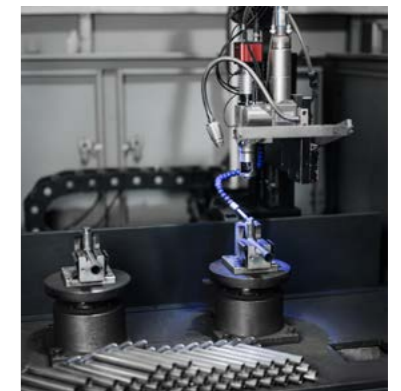




# INNOVATION LEADS FUTURE

HANGFAT continues to innovate production processes to reduce production spoilage, thereby achieving better cost and quality control. At the same time, we are constantly optimizing product design, focusing on the fit of technology and life, and presenting the natural beauty with texture.

Each of HANGFAT's products is comfortable, safe and beautiful, meeting the needs of modern life and suitable for a variety of modern home styles.





# HANGFAT CERTIFICATIONS



Certificate of Environmental Management System



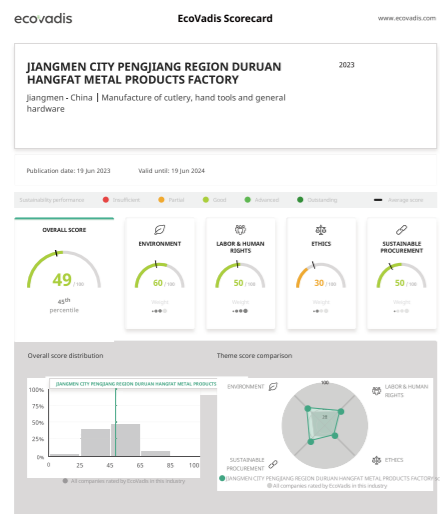
Certificate of Quality Management System



Pollutant Emission Permit



CE Certificate



ESG Certificate



Work Safety Standardization Certificate (Level 3)



RoHS Certificate

**Intertek TEST REPORT**  
Performance test

Report Reference No.: G271212284  
Tested by (name and signature): Alan Lai  
Approved by (name and signature): Bikang Dong  
Date of Issue: January 23, 2013  
Contents: Total test report 9 pages including Report text: 3 pages Appendix A for product photos: 2 pages

Testing Laboratory name: Intertek Testing Services (Shenzhen) Ltd. Guangdong Branch  
Address: Block E, No.7-2 Huang Dong Software Science Park, Cixin Road, Guangzhou Science City, GZTDD, Guangdong, China  
Testing location: Same as above  
Applicant's name: JIANGMEN CITY PENGJIANG REGION DURUAN HANGFAT METAL PRODUCTS FACTORY  
Address: NANCHANG INDUSTRIAL DISTRICT, DURUAN TOWN, JIANGMEN CITY, GUANGDONG PROV., CHINA 529075

Test specification:  
Standard: EN 1670:2007AC:2009  
Non-standard test method: S2524 Stainless steel 2 ball bearing ball hinge  
Test item description: S2524 Stainless steel 2 ball bearing ball hinge  
Trade Mark: /  
Model and/or type reference: E'X3 E'X3.0mm  
Manufacturer: JIANGMEN CITY PENGJIANG REGION DURUAN HANGFAT METAL PRODUCTS FACTORY  
Rating(s): Grade 4 (340 hours) Corrosion Resistance (neutral salt spray)

**CONCLUSION:**  
The submitted samples were tested and **COMPLIED WITH** Grade 4 Corrosion Resistance of EN 1670:2007AC:2009

Intertek Testing Services (Shenzhen) Ltd., Guangdong Branch  
Block E, No.7-2 Huang Dong Software Science Park, Cixin Road, Guangzhou Science City, GZTDD, Guangdong, China  
Tel: 86 0755 26000000 Fax: 86 0755 26000000

EN1670 Performance Test Report



# HANGFAT CERTIFICATIONS



EN1906 Grade 3 Certificate



EN1906 Grade 4 Certificate



EN1906 Grade 4 Certificate



EN1935 Grade 14 Certificate



Utility Model Patent



Utility Model Patent



Utility Model Patent



Utility Model Patent



Utility Model Patent



Utility Model Patent



Appearance Design Patent



Appearance Design Patent

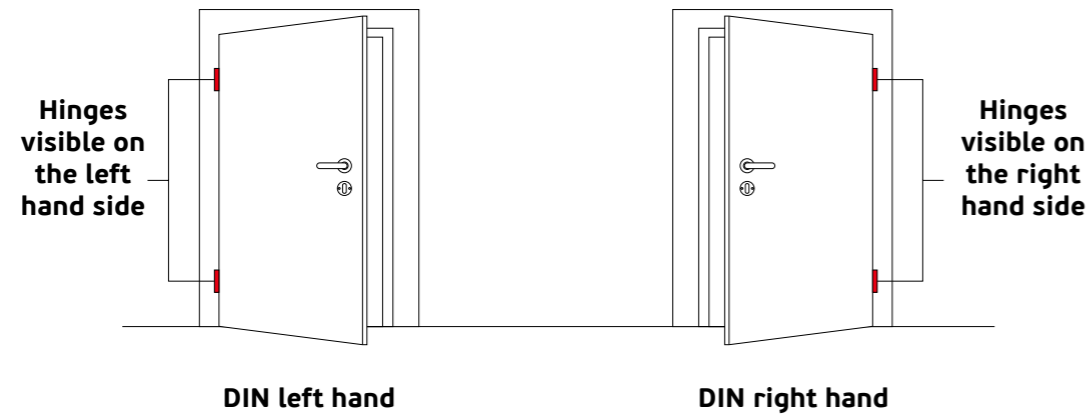


### Door direction

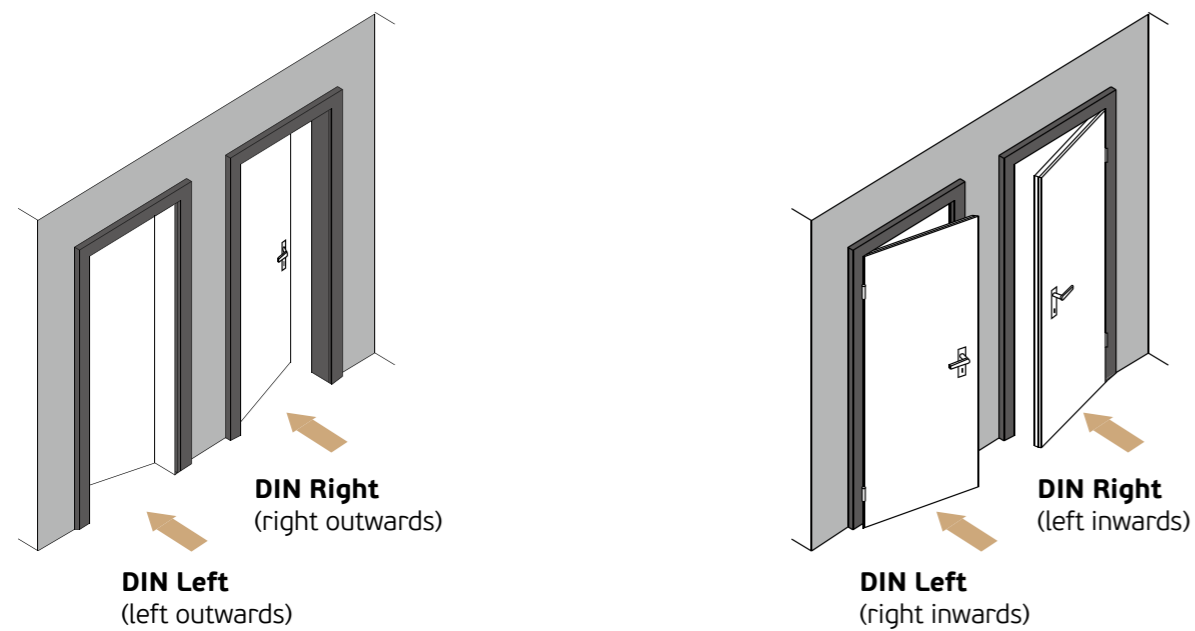
The door direction(left/right)according to DIN 107 is determined as follows:

Visible position of the door hinges on the left: **(Din)left**

Visible position of the door hinges on the right: **(Din)right**

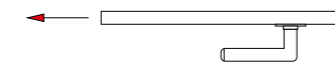


### Door opening direction



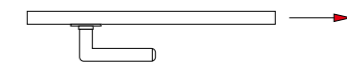
### Lever handle direction

Lever handle aperture part pointing to the left



Version "left hand"

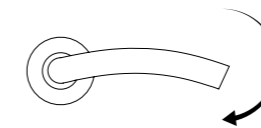
Lever handle aperture part pointing to the right



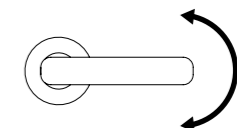
Version "right hand"

When selecting alternate sets with asymmetrical handles a distinction to the right/left is required. It is therefore necessary to observe the particular door direction.

### Examples of asymmetric lever handles



### Examples of symmetrical lever handles







**SSS-Satin**



**PSS-Polished**



**PVDSG-PVD Satin Gold**



**PVDPG-PVD Polished Gold**



**PVDSM-PVD Matt Black**



**CRS-PVD Satin Chrome**



**PVDSM-PVD Satin Copper**

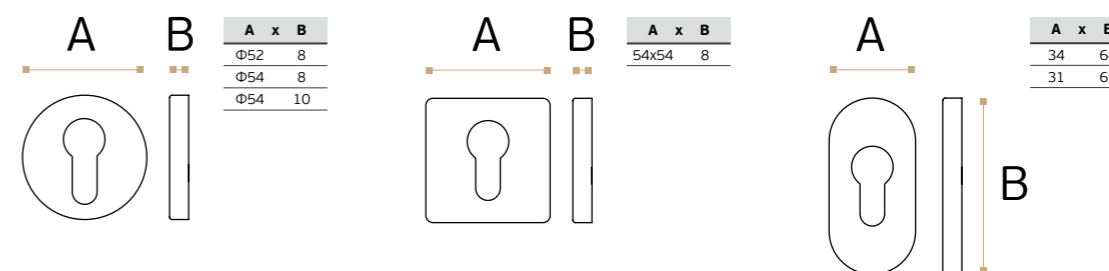
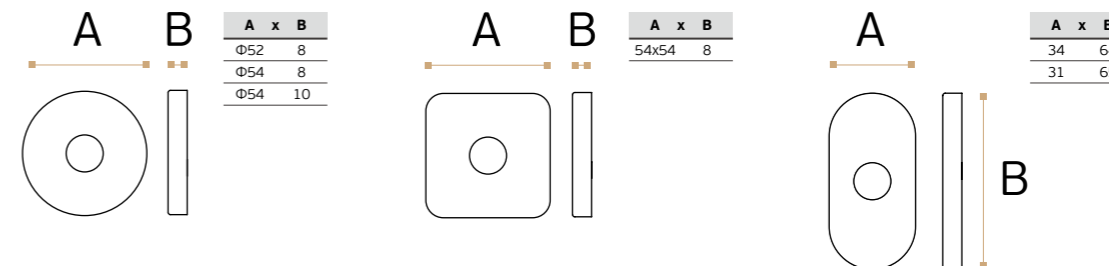


**CRP-PVD Polished Chrome**

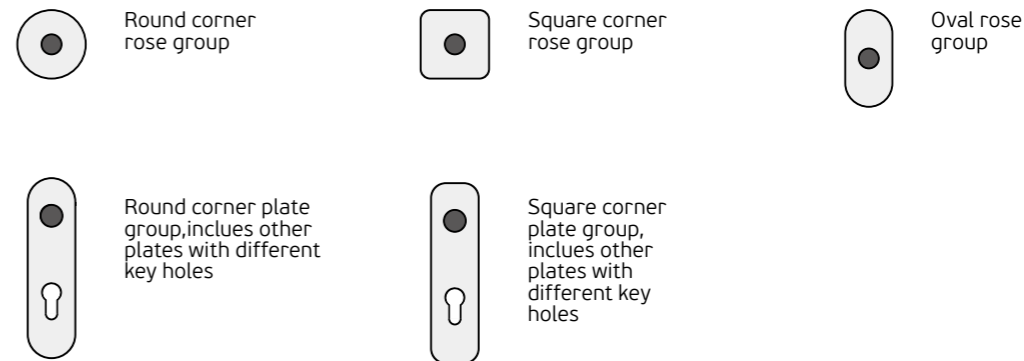
# FINISH TREATMENT

HANGFAT's factory finish paint offers a variety of popular standard color choices along with custom match options. The finish paint is applied to our quality commercial products, carefully packaged and supplied to our customer, pre-finished. Our efficient method of application and pre-finished delivery saves in money and time - from a brand you know and trust.

# ACCESSORIES COMMON SIZE



# ICON DEFINITION





**STAINLESS  
STEEL  
HINGES**





# 14 GRADE HINGE

- 160KG LOAD
- 200K CYCLES
- NO GREASE
- MUTE OPERATION
- SST 240H



EN1935:2002

4 7 7 0 1 4 0 14





# UNIQUE SLEEVE

- POM+TEFLON
- Grease Free



Laser Welded Knuckles



# STAINLESS STEEL / HINGES

## EN1935:2002

Single axis hinges, both fixed pin and lift off hinges, are covered by EN1935. It provides details on product types by use, durability, fire resistance, corrosion resistance and a grading using an 8 digit classification code.

### Digit 1 – Category of use

- Grade 1:light duty
- Grade 2:medium duty
- Grade 3:heavy duty
- Grade 4:severe duty

### Digit 5 – Safety

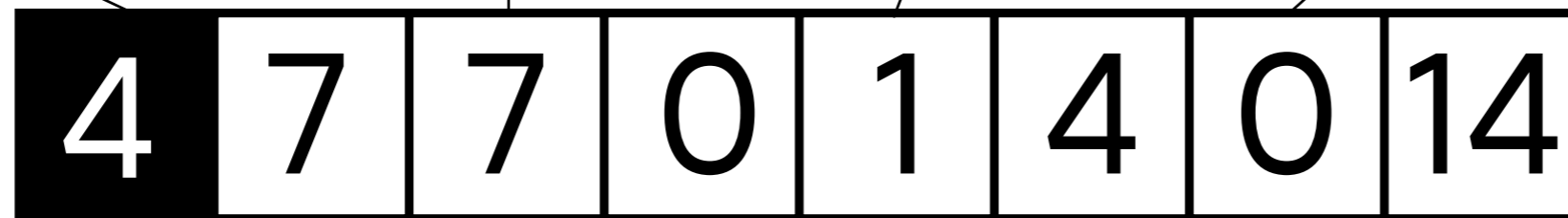
- Only Grade 1 is identified

### Digit 7 – Security

- Two grades of resistance to burglary attack are identified.
- Grade 0: Not suitable
  - Grade 1: Suitable for applications requiring a degree of security

### Digit 3 – Door Size/Mass

See table below



### Digit 8 – Hinge Grade

14 grades are identified as a combination of usage, test cycles and door mass. See table below

### Digit 2 – Durability

Digit 2 represents the test cycles to establish the category of use.

- Grade 3: Light Duty 10,000 cycles
- Grade 4:Light Duty 25,000 cycles
- Grade 7: Medium Severe Duty 200,000 cycles

### Digit 6 – Corrosion resistance

Corrosion resistance testing to EN1670

- Grade 0 to 4 where 4 offers the highest corrosion resistance with -20°C to +80°C

### Digit 4 – Fire resistance

- Grade 0:Not suitable for use on fire/smoke doors
- Grade 1:Suitable for use on fire/smoke doors

### Door Size/Mass

Grade	Door Mass
0	10kg
1	20kg
2	40kg
3	60kg
4	80kg
5	100kg
6	120kg
7	160kg

### Hinge Grades

Grade	Usage	Test Cycles	Door Mass
1	Window	10,000	10Kg
2	Window	10,000	20Kg
3	Window/Door	25,000	20Kg
4	Door	200,000	20Kg
5	Window	10,000	40Kg
6	Window/Door	25,000	40Kg
7	Door	200,000	40Kg
8	Window	10,000	60Kg
9	Window/Door	25,000	60Kg
10	Door	10,000	60Kg
11	Door	200,000	80Kg
12	Door	200,000	100Kg
13	Door	200,000	120Kg
14	Door	200,000	160Kg



# STAINLESS STEEL / HINGES

The value of the raw material of a hinge is responsible for about 70% of the final cost.

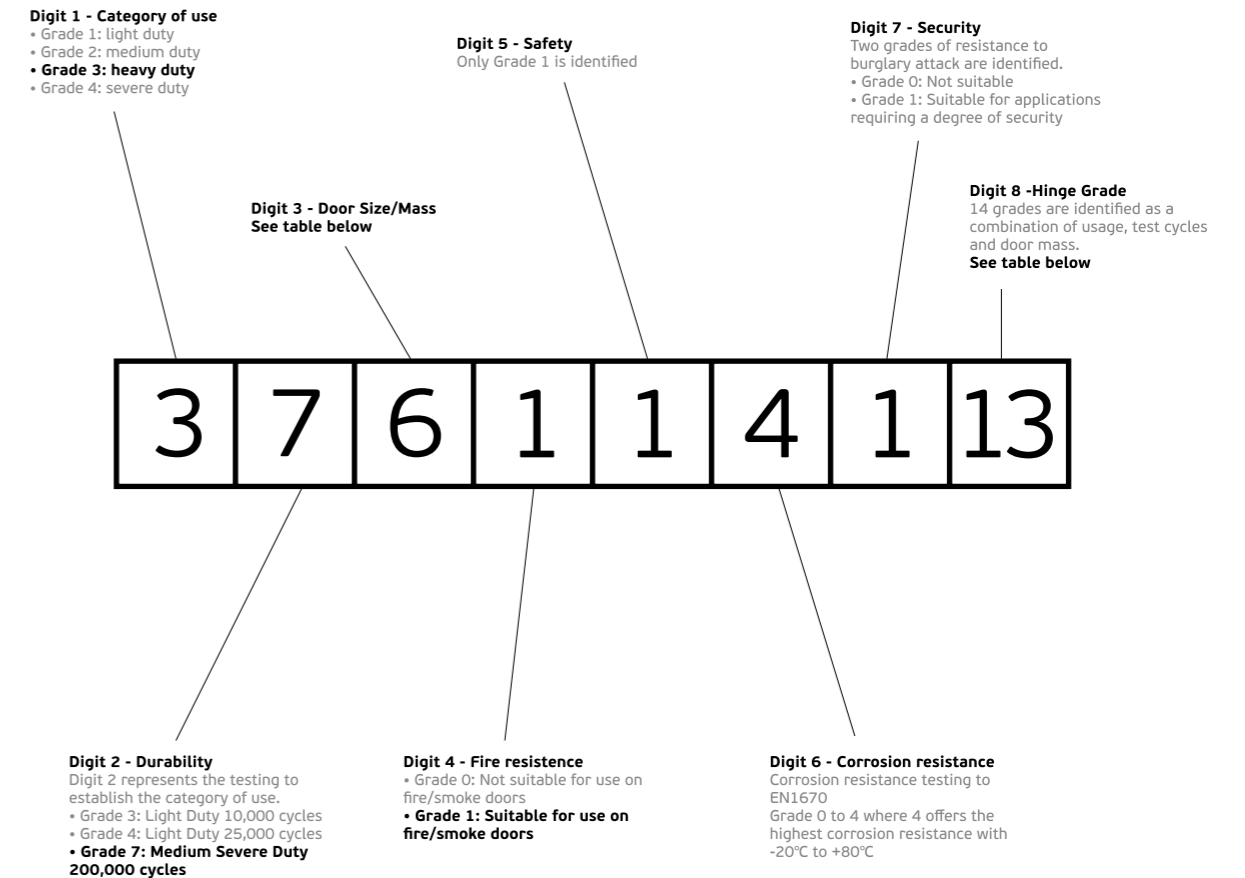
We use stainless steel with an acceptable behavior against corrosion. We guarantee a lower price on that hinges series using suitable raw materials and locating their production in factories with the quality control system ISO 9001.

The hinges in this catalog are divided into the following groups:

- Bearing Hinge
- Plain Joint Hinge
- Washers Hinge
- Fast Fix Hinge
- Spring Hinge
- Lift-off Hinge
- Rising / Falling Hinge
- Flag Hinge
- Hinge without Grease
- Rivited Hinge
- Security Hinge
- Swing Clear Hinge
- Container Hinge

## EN1935 classification explained

Single axis hinges, both fixed pin and lift off hinges, are covered by EN1935. It provides details on product types by use, durability, fire resistance, corrosion resistance and a grading using and 8 digit classification code.



### Door Size/Mass

Grade	Door Mass
0	10kg
1	20kg
2	40kg
3	60kg
4	80kg
5	100kg
6	120kg
7	160kg

### Hinge Grades

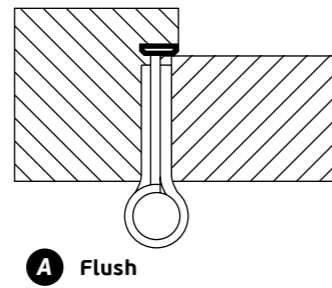
Grade	Usage	Test Cycles	Door Mass
1	Window	10,000	10Kg
2	Window	10,000	20Kg
3	Window/Door	25,000	20Kg
4	Door	200,000	20Kg
5	Window	10,000	40Kg
6	Window/Door	25,000	40Kg
7	Door	200,000	40Kg
8	Window	10,000	60Kg
9	Window/Door	25,000	60Kg
10	Door	10,000	60Kg
11	Door	200,000	80Kg
12	Door	200,000	100Kg
13	Door	200,000	120Kg
14	Door	200,000	160Kg



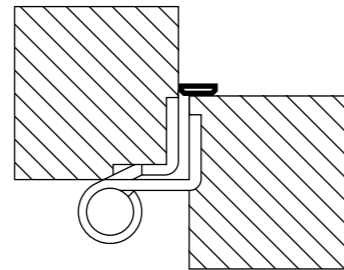
# STAINLESS STEEL / HINGES

## Installation Situation

The installation situation of a door includes the door rebate, the frame material, the type of frame as well as the opening direction of the door. The difference between flush and rebated doors is explained in the following illustrations.



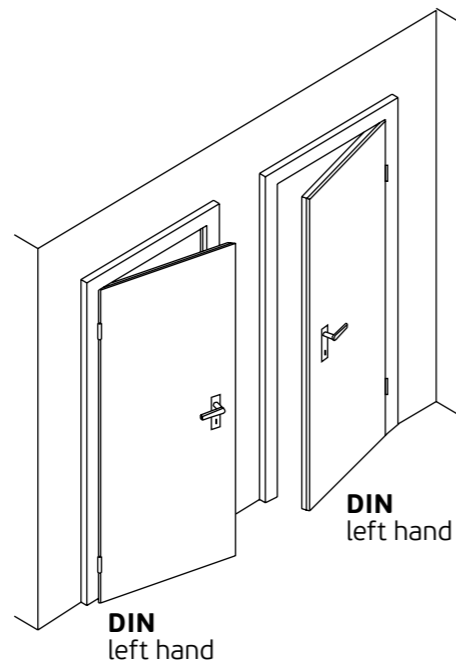
**A Flush**



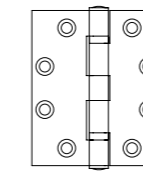
**B Rebated**

## Door Opening Direction

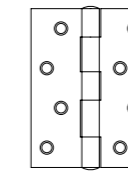
The door panels are fitted to a longitudinal edge of the frame with hinged doors. The opening direction determines left or right hand doors. It is important, on which side the door is fitted. When choosing a door hinge, the opening direction of the door must be considered. Drill-in hinge as not all door hinges can be used left or right hand.



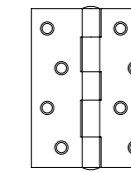
## Hole Options



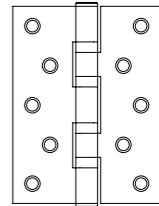
Template



Zig-Zag (right)



Zig-Zag (left)



Zig-Zag (symmetrical)

## PIN Options



Fixed Pin (FP)

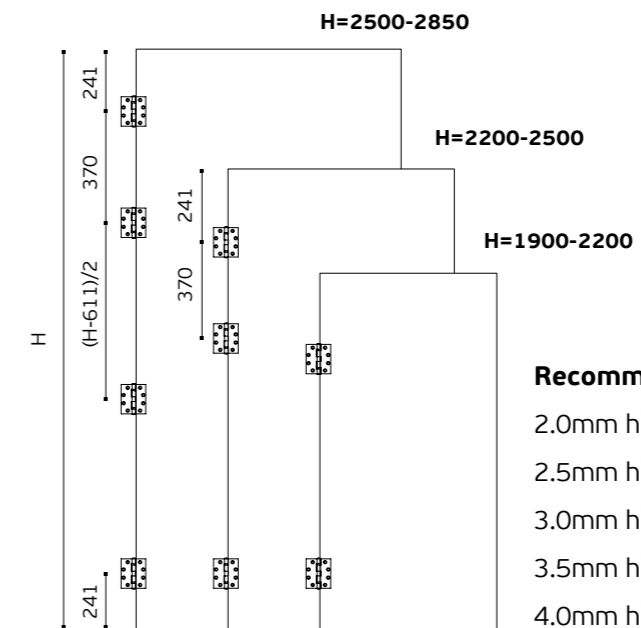


Loose Pin (LP)



Non Removable Pin (NRP)

## Installation Chart



**Recommendation: 3 pieces per door**

- 2.0mm hinges: 25-40kgs per door
- 2.5mm hinges: 40-60kgs per door
- 3.0mm hinges: 60-80kgs per door
- 3.5mm hinges: 80-120kgs per door
- 4.0mm hinges: 120-150kgs per door



# STAINLESS STEEL / HINGES

NEW



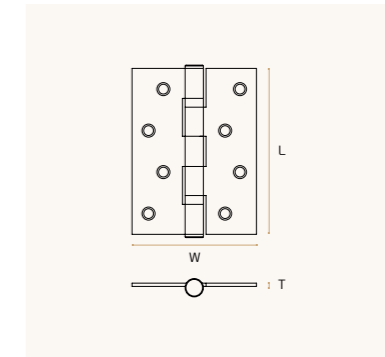
## SIZE CHART FOR MODELS: 2BB / 4BB / PN-5 / SW / NW

L	W	T
76.2	50.8	2
76.2	76.2	2
88.9	88.9	2.5
101.6	76.2	2
101.6	76.2	2.5
101.6	101.6	2.5
101.6	76.2	3
101.6	88.9	3
101.6	101.6	3
114.3	101.6	3
114.3	101.6	3.5
114.3	114.3	3
114.3	114.3	3.5
127	76.2	2.5
127	76.2	3
127	88.9	2.5
127	101.6	4
100	75	2.5
100	100	2.5
102	76	3

Unit:mm



### 2 BALL BEARINGS

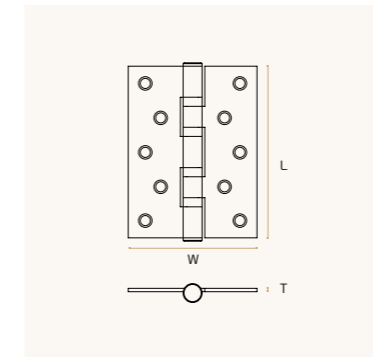


**2BB**  
**Material:**SUS304 / SUS316  
**Pin:**FP/LP/NRP  
**Available Finish:**SSS / PSS / AB / PC / PVD-SG/PG/SC/CRP/CRS

COMMON SIZE CHART IN PAGE 105



### 4 BALL BEARINGS

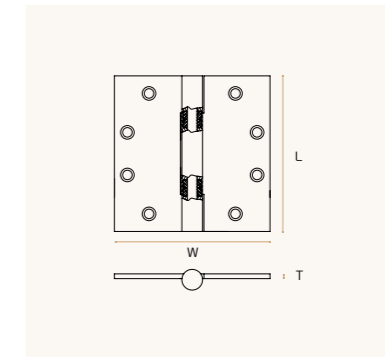


**4BB**  
**Material:**SUS304 / SUS316  
**Pin:**FP/LP/NRP  
**Available Finish:**SSS / PSS / AB / PC / PVD-SG/PG/SC/CRP/CRS

COMMON SIZE CHART IN PAGE 105

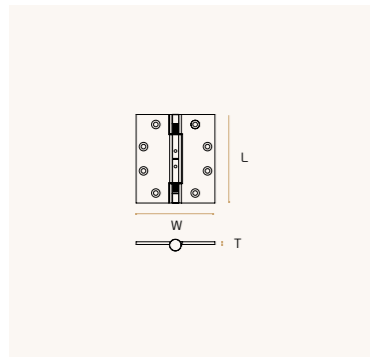


### CONCEALED WASHERS HINGE



**CBB**  
**Material:**SUS304 / SUS316  
**Pin:**Fixed Pin  
**Available Finish:**SSS / PSS / AB / PC / PVD-SG/PG/SC/CRP/CRS

COMMON SIZE CHART IN PAGE 105



### 454035-G14

**Material:**SUS304 / SUS316  
**Pin:**Fixed Pin  
**Available Finish:**SSS / PSS / AB / PC / PVD-SG/PG/SC/CRP/CRS  
**Application:** Timber / Profile Door

L	W	T
114.3	101.6	3.5
114.3	114.3	3.5



# STAINLESS STEEL / HINGES



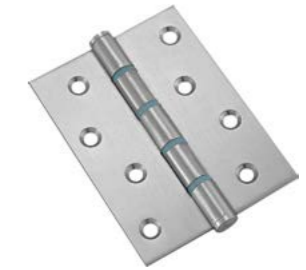
PLAIN JOINT HINGE



S.S WASHERS HINGE



NYLON WASHERS HINGE



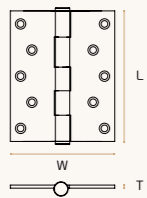
RIVITED HINGE



FAST FIX WASHER HINGE



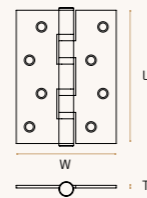
FAST FIX WASHER HINGE



**PN-5**

**Material:**SUS304 / SUS316  
**Pin:**FP/LP/NRP  
**Available Finish:**SSS / PSS / AB / PC / PVD-SG/PG/SC/CRP/CRS

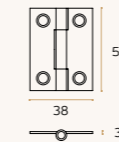
COMMON SIZE CHART IN PAGE 105



**SW**

**Material:**SUS304 / SUS316  
**Pin:**Fixed Pin  
**Available Finish:**SSS / PSS / AB / PC / PVD-SG/PG/SC/CRP/CRS

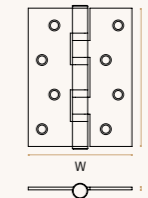
COMMON SIZE CHART IN PAGE 105



**WA-50**

**Material:**SUS304 / SUS316  
**Pin:**Fixed Pin  
**Available Finish:**SSS / PSS / AB / PC / PVD-SG/PG/SC/CRP/CRS  
**Application:** Timber Door

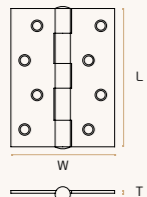
L	W	T
50	38	3.2



**NW**

**Material:**SUS304 / SUS316  
**Pin:**Fixed Pin  
**Available Finish:**SSS / PSS / AB / PC / PVD-SG/PG/SC/CRP/CRS

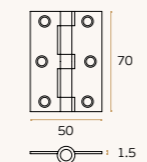
COMMON SIZE CHART IN PAGE 105



**WA**

**Material:**SUS304 / SUS316  
**Pin:**Fixed Pin  
**Available Finish:**SSS / PSS / AB / PC / PVD-SG/PG/SC/CRP/CRS

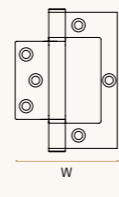
L	W	T
76.2	50.8	1.5
101.6	69.9	2
100	75	1.5



**WA-70**

**Material:**SUS304 / SUS316  
**Pin:**Fixed Pin  
**Available Finish:**SSS / PSS / AB / PC / PVD-SG/PG/SC/CRP/CRS  
**Application:** Timber Door

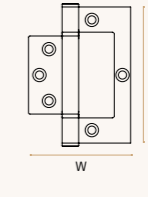
L	W	T
70	50	1.5



**FL01**

**Material:**SUS304 / SUS316  
**Pin:**Fixed Pin  
**Available Finish:**SSS / PSS / AB / PC / PVD-SG/PG/SC/CRP/CRS

L	W	T
100	70	2.5



**FL02**

**Material:**SUS304 / SUS316  
**Pin:**Fixed Pin  
**Available Finish:**SSS / PSS / AB / PC / PVD-SG/PG/SC/CRP/CRS

L	W	T
100	70	2.5



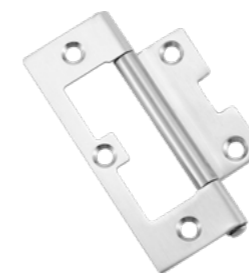
**STAINLESS STEEL / HINGES**



**FAST FIX 2 BALL BEARING HINGE**



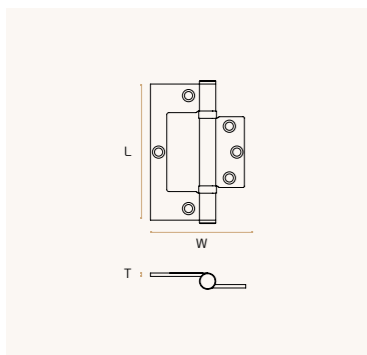
**FAST FIX 2 BALL BEARING HINGE**



**SINGLE ACTION SPRING HINGE**



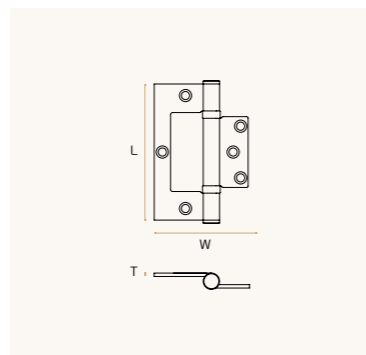
Single action spring



**FL03-M**

**Material:**SUS304 / SUS316  
**Pin:**Fixed Pin  
**Available Finish:**SSS / PSS / AB / PC / PVD-SG/PG/SC/CRP/CRS

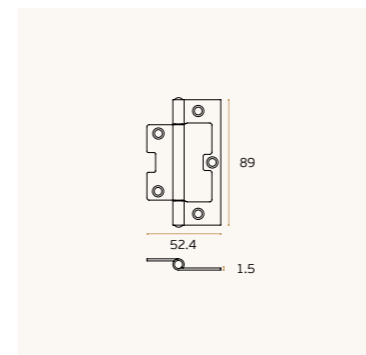
L	W	T
100	70	2.5



**FL04-T**

**Material:**SUS304 / SUS316  
**Pin:**Fixed Pin  
**Available Finish:**SSS / PSS / AB / PC / PVD-SG/PG/SC/CRP/CRS

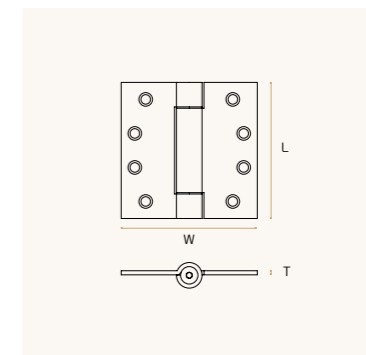
L	W	T
100	70	2.5



**FL07-M**

**Material:**SUS304 / SUS316  
**Pin:**Fixed Pin  
**Available Finish:**SSS / PSS / AB / PC / PVD-SG/PG/SC/CRP/CRS  
**Application:** Profile Door

L	W	T
89	52.4	1.5



**SPH01**

**Material:**SUS304 / SUS316  
**Pin:**No Pin  
**Available Finish:**SSS / PSS / AB / PC / PVD-SG/PG/SC/CRP/CRS

L	W	T
101.6	76.2	2.5
101.6	76.2	3
101.6	101.6	2.5
101.6	101.6	3
114.3	101.6	3
114.3	114.3	3



**FAST FIX 2 BALL BEARING KINKED HINGE**



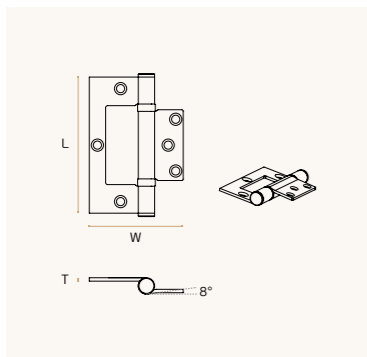
**FAST FIX 2 BALL BEARING KINKED HINGE**



**SINGLE ACTION SPRING HINGE**



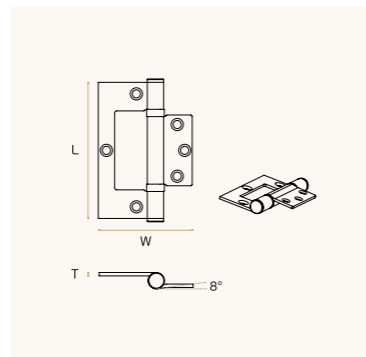
Single action spring



**FL05-T**

**Material:**SUS304 / SUS316  
**Pin:**Fixed Pin  
**Available Finish:**SSS / PSS / AB / PC / PVD-SG/PG/SC/CRP/CRS

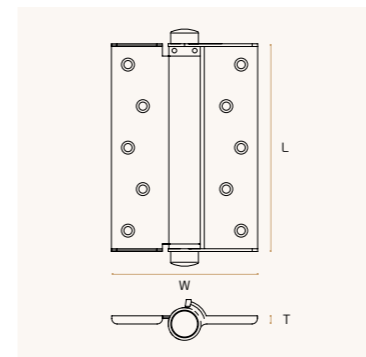
L	W	T
100	70	2.5



**FL06-M**

**Material:**SUS304 / SUS316  
**Pin:**Fixed Pin  
**Available Finish:**SSS / PSS / AB / PC / PVD-SG/PG/SC/CRP/CRS

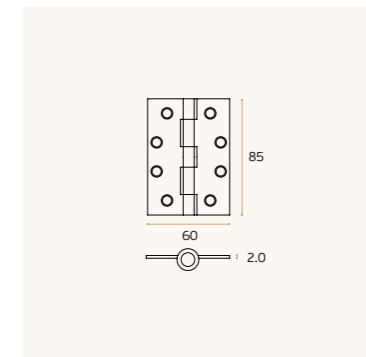
L	W	T
100	70	2.5



**SPH03**

**Material:**SUS304 / SUS316  
**Pin:**No Pin  
**Available Finish:**SSS / PSS / AB / PC / PVD-SG/PG/SC/CRP/CRS

L	W	T
152	107	2



**WA (80139)**

**Material:**SUS304 / SUS316  
**Pin:**Fixed Pin  
**Available Finish:**SSS / PSS / AB / PC / PVD-SG/PG/SC/CRP/CRS  
**Application:** Timber Door

L	W	T
85	60	2.0



# STAINLESS STEEL / HINGES



**ROUND CORNER LIFT-OFF HINGE**



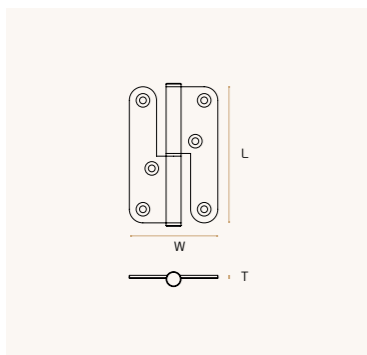
**Round corner lift-off hinge**



**FALLING HINGE**



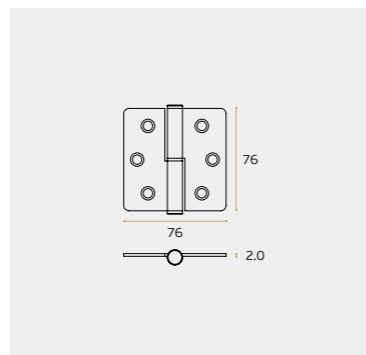
**RISING HINGE**



**LH-R1**

**Material:**SUS304 / SUS316  
**Pin:**No Pin  
**Available Finish:**SSS / PSS / AB / PC / PVD-SG/PG/SC/CRP/CRS

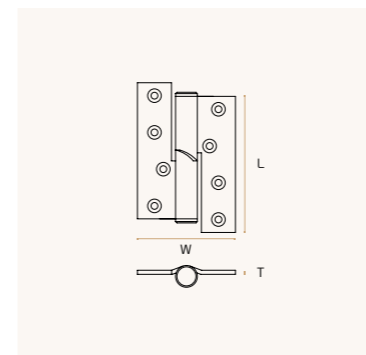
L	W	T
90	65	2.5
100	65	2
100	86	3



**LH-R2**

**Material:**SUS304 / SUS316  
**Pin:**Fixed Pin  
**Available Finish:**SSS / PSS / AB / PC / PVD-SG/PG/SC/CRP/CRS  
**Application:** Timber Door

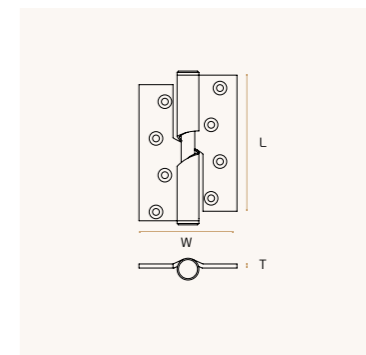
L	W	T
76	76	2.0



**FH**

**Material:**SUS304 / SUS316  
**Pin:**No Pin  
**Available Finish:**SSS / PSS / AB / PC / PVD-SG/PG/SC/CRP/CRS

L	W	T
100	75	2
100	72	3



**RH**

**Material:**SUS304 / SUS316  
**Pin:**No Pin  
**Available Finish:**SSS / PSS / AB / PC / PVD-SG/PG/SC/CRP/CRS

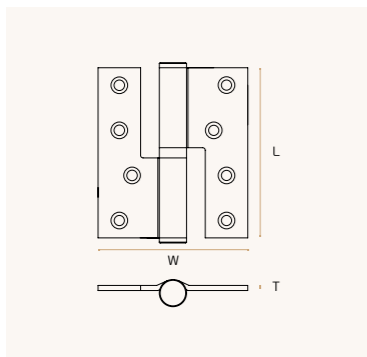
L	W	T
76.2	50.8	2
76	63.5	2
76.2	76.2	2
100	75	2
100	72	3



**SQUARE CONNER LIFT-OFF HINGE**



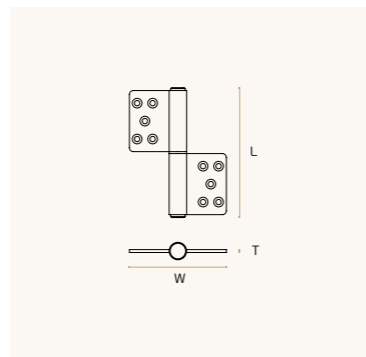
**FLAG HINGE**



**LH-S**

**Material:**SUS304 / SUS316  
**Pin:**No Pin  
**Available Finish:**SSS / PSS / AB / PC / PVD-SG/PG/SC/CRP/CRS

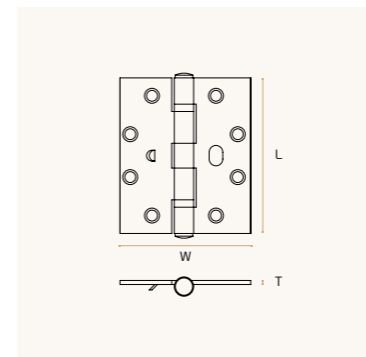
L	W	T
90	65	2.5
100	75	2.5
100	86	3



**FG**

**Material:**SUS304 / SUS316  
**Pin:**No Pin  
**Available Finish:**SSS / PSS / AB / PC / PVD-SG/PG/SC/CRP/CRS

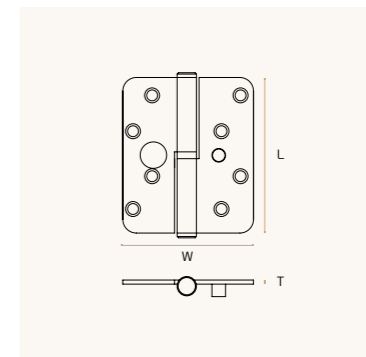
L	W	T
102	96	3
127	96	3
127	101.6	4
152	100	3
102	89	3



**S01**

**Material:**SUS304 / SUS316  
**Pin:**Fixed Pin  
**Available Finish:**SSS / PSS / AB / PC / PVD-SG/PG/SC/CRP/CRS

L	W	T
114	96	3



**S02**

**Material:**SUS304 / SUS316  
**Pin:**Fixed Pin  
**Available Finish:**SSS / PSS / AB / PC / PVD-SG/PG/SC/CRP/CRS

L	W	T
101.6	88.9	3



**SECURITY LIFT OFF HINGE**



**SECURITY HINGE**



# STAINLESS STEEL / HINGES



SECURITY HINGE WITH 2 STUDS



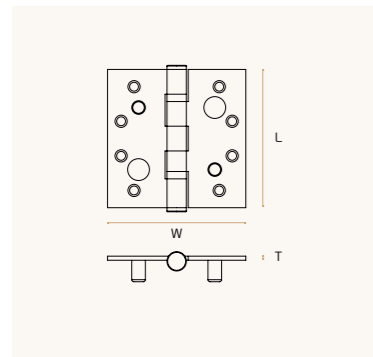
SECURITY HINGE



SWING CLEAR HINGE



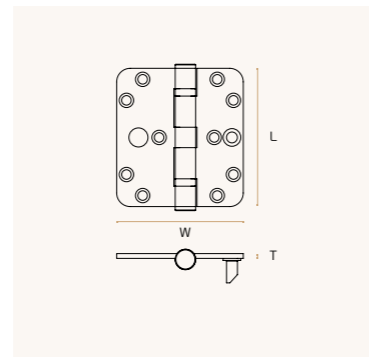
SWING CLEAR HINGE



**S03**

**Material:**SUS304 / SUS316  
**Pin:**Fixed Pin  
**Available Finish:**SSS / PSS / AB / PC / PVD-SG/PG/SC/CRP/CRS

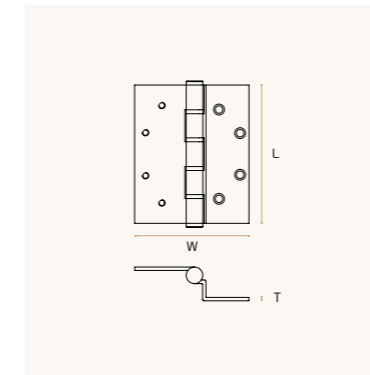
L	W	T
101.6	76.2	3
101.6	88.9	3
101.6	101.6	3
114.3	101.6	3.5
114.3	114.3	3.5



**S04**

**Material:**SUS304 / SUS316  
**Pin:**Fixed Pin  
**Available Finish:**SSS / PSS / AB / PC / PVD-SG/PG/SC/CRP/CRS

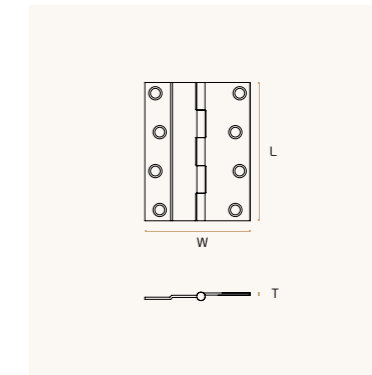
L	W	T
101.6	93	3.5



**BD01**

**Material:**SUS304 / SUS316  
**Pin:**Fixed Pin  
**Available Finish:**SSS / PSS / AB / PC / PVD-SG/PG/SC/CRP/CRS

L	W	T
102	84	2.5



**BD02**

**Material:**SUS304 / SUS316  
**Pin:**Fixed Pin  
**Available Finish:**SSS / PSS / AB / PC / PVD-SG/PG/SC/CRP/CRS

L	W	T
102	102	1.5



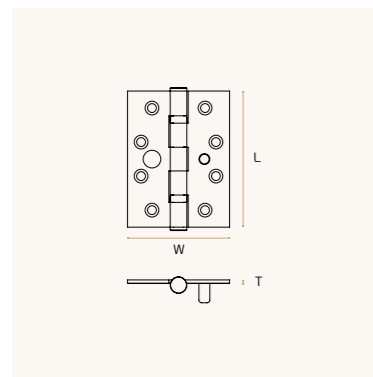
SECURITY HINGE



SWING CLEAR HINGE



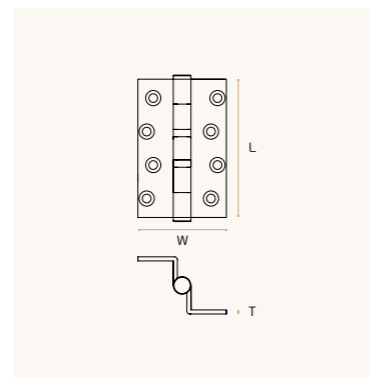
SWING CLEAR HINGE



**S05**

**Material:**SUS304 / SUS316  
**Pin:**Fixed Pin  
**Available Finish:**SSS / PSS / AB / PC / PVD-SG/PG/SC/CRP/CRS

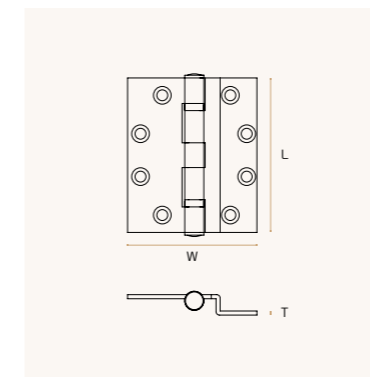
L	W	T
100	75	2.5



**BD04**

**Material:**SUS304 / SUS316  
**Pin:**Fixed Pin  
**Available Finish:**SSS / PSS / AB / PC / PVD-SG/PG/SC/CRP/CRS

L	W	T
101.6	65	3



**BD03**

**Material:**SUS304 / SUS316  
**Pin:**Fixed Pin  
**Available Finish:**SSS / PSS / AB / PC / PVD-SG/PG/SC/CRP/CRS

L	W	T
113.5	95	3



[www.hangfatmetal.com](http://www.hangfatmetal.com)

**JIANGMEN HANGFAT METAL PRODUCTS FACTORY**

**Address:** Nacikeng Industrial District, Duruan Town,  
Jiangmen City, Guangdong Province, China, 529075

**Tel:** +86 750 3663332 **Fax:** +86 750 3663442

**E-mail:** [sales@hangfatmetal.com](mailto:sales@hangfatmetal.com) [mulang@hangfatmetal.com](mailto:mulang@hangfatmetal.com)

