

**BATHROOM**  
**ACCESSORIES**





HANGFAT was established in Jiangmen, China, 1994. It is a classic Chinese metal product brand with a history of 30 years.

We set product development, manufacturing and independent marketing in one, and always insist that the details are king. That is how we were born, grew and become powerful.

HANGFAT provide OEM/ODM service for our customers. Adequate machines and production lines can achieve a monthly production capacity of 800,000 pairs/set. Our product lines cover stainless steel handles, turn knobs, back plates, locksets, hinges and so on.

In the past years, HANGFAT stuck to the strict raw material inspection & acceptance standards and material distribution system. We continue to innovate production processes to reduce production spoilage, achieving better cost and quality control.

HANGFAT believes important people need more professional protection. All the important objects of protection can be "Safe, always around"!

**"PIONEER ROLE" -focus, professional, leading!**

## OUR TEAM

**Core belief:** Through expertise and love, for more space to achieve hand-in-hand security system.

**Mission:** Important people, need more professional guarding.

**Vision:** "Pioneer role"-Focus, Professional, Leading.

**Value:** All important objects of protection can be "Safe, always around".



江门恒發金屬



Take Safety with You

把握安全，常伴左右

TAKE SAFETY  
WITH YOU

# DETAILS ARE KING

HANGFAT was established in Jiangmen, China, 1994.  
It is an classic Chinese metal product brand with a  
history of 30 years.

We set product development, manufacturing and  
independent marketing in one, and always insist that  
the details are king.

That is how we were born, grew and become powerful.

---

# AUTOMATION MORE PROFESSIONAL

HANGFAT has technicians with decades of industry experience  
Their production precision is close to the machine.  
But for this "close",  
We insist on introducing dozens of new & advanced machines.

---

3D automatic welding machine is highly efficient and accurate, ensuring uniform, stable and beautiful appearance of each solder joint;  
Automatic polishing machine for every detail of the product has a delicate, smooth texture, and shiny;  
Laser marking machine, high-speed, exquisite lines, to ensure the quality of our products and production capacity;

.....

We are always dedicated to speciality and meticulousness, perfecting every detail and making every product reliable.



# QUALITY IS MARKET

HANGFAT provide OEM/ODM service for our customers. Adequate machines and production lines can achieve a monthly production capacity of 800,000 pairs/set. Our product line covers stainless steel handles, turnknobs, back plates, locksets, hinges and so on.

---

In the past 30 years, HANGFAT stuck to the strict raw material inspection & acceptance standards and material distribution system. We follow the principle of first-in, first-out in inventory control. 12 quality inspection processes ensure that each product undergoes rigorous testing before it can be distributed on the market.

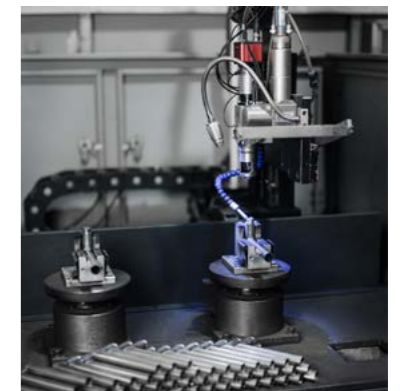




# INNOVATION LEADS FUTURE

HANGFAT continues to innovate production processes to reduce production spoilage, thereby achieving better cost and quality control. At the same time, we are constantly optimizing product design, focusing on the fit of technology and life, and presenting the natural beauty with texture.

Each of HANGFAT's products is comfortable, safe and beautiful, meeting the needs of modern life and suitable for a variety of modern home styles.



# HANGFAT CERTIFICATIONS



Certificate of Environmental Management System



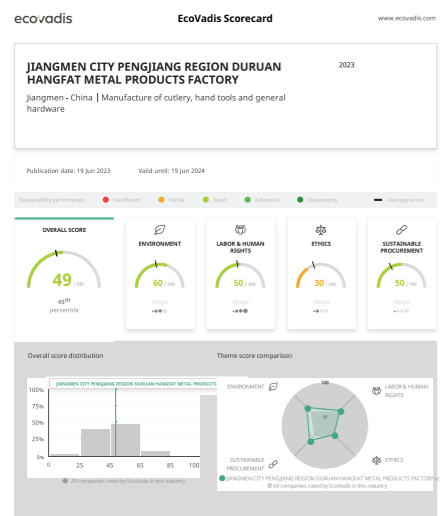
Certificate of Quality Management System



Pollutant Emission Permit



CE Certificate



ESG Certificate



Work Safety Standardization Certificate (Level 3)



RoHS Certificate

**Intertek TEST REPORT**  
Performance test

Report Reference No.: G271212284  
Tested by (name and signature): Alan Lai  
Approved by (name and signature): Bikem Dong  
Date of issue: January 23, 2019  
Contents: Total test report 9 pages including Report text: 3 pages Appendix A for product photos: 2 pages

Testing Laboratory name: Intertek Testing Services (Shenzhen) Ltd., Guangdong Branch  
Address: Block E, No.7-2 Huang Dong Software Science Park, Cixin Road, Guangzhou Science City, GZTDD, Guangdong, China  
Testing location: Same as above  
Applicant's name: JIANGMEN CITY PENGJIANG REGION DURUAN HANGFAT METAL PRODUCTS FACTORY  
Address: NANCHANG INDUSTRIAL DISTRICT, DURUAN TOWN, JIANGMEN CITY, GUANGDONG PROV., CHINA (529075)

Test specification:  
Standard: EN 1670:2007AC:2009  
Non-standard test method: SU2204 Stainless steel 2 ball bearing ball hinge  
Test item description: E'X3 E'X3 0mm  
Trade Mark: /  
Model and/or type reference: E'X3 E'X3 0mm  
Manufacturer: JIANGMEN CITY PENGJIANG REGION DURUAN HANGFAT METAL PRODUCTS FACTORY  
Rating(s): Grade 4 (240 hours) Corrosion Resistance (neutral salt spray)

**CONCLUSION:**  
The submitted samples were tested and **COMPLIED WITH** Grade 4 Corrosion Resistance of EN 1670:2007AC:2009

Intertek Testing Services (Shenzhen) Ltd., Guangdong Branch  
Block E, No.7-2 Huang Dong Software Science Park, Cixin Road, Guangzhou Science City, GZTDD, Guangdong, China  
Tel: 86 0755 26000000 Fax: 86 0755 26000000

EN1670 Performance Test Report



# HANGFAT CERTIFICATIONS



EN1906 Grade 3 Certificate



EN1906 Grade 4 Certificate



EN1906 Grade 4 Certificate



EN1935 Grade 14 Certificate



Utility Model Patent



Utility Model Patent



Utility Model Patent



Utility Model Patent



Utility Model Patent



Utility Model Patent



Appearance Design Patent



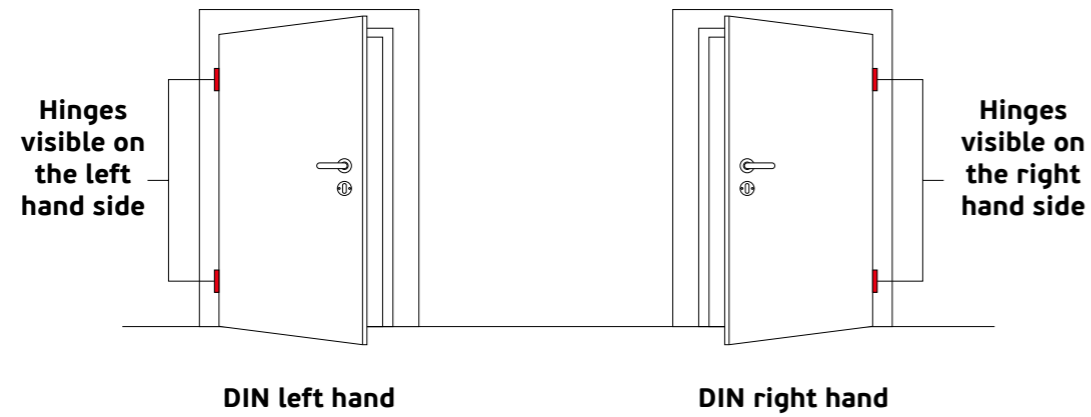
Appearance Design Patent

### Door direction

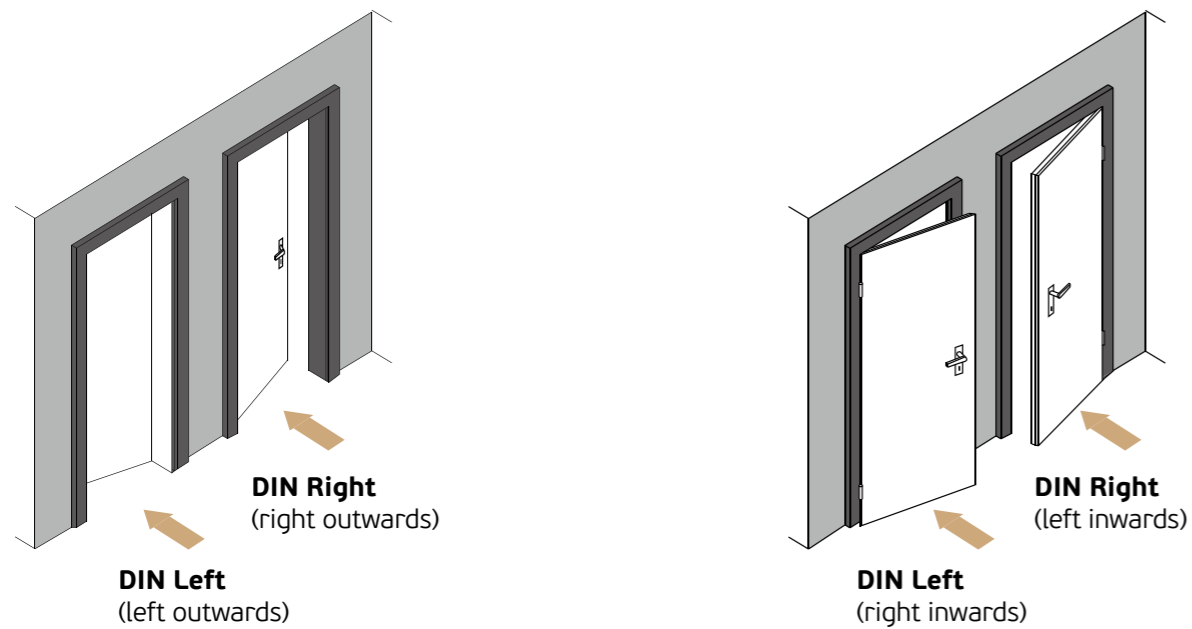
The door direction(left/right)according to DIN 107 is determined as follows:

Visible position of the door hinges on the left: **(Din)left**

Visible position of the door hinges on the right: **(Din)right**

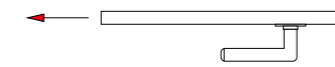


### Door opening direction



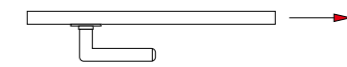
### Lever handle direction

Lever handle aperture part pointing to the left



Version "left hand"

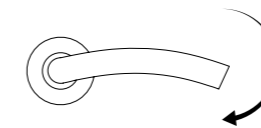
Lever handle aperture part pointing to the right



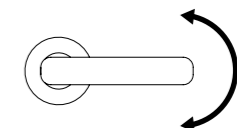
Version "right hand"

When selecting alternate sets with asymmetrical handles a distinction to the right/left is required. It is therefore necessary to observe the particular door direction.

### Examples of asymmetric lever handles



### Examples of symmetrical lever handles





SSS-Satin



PSS-Polished



PVDSG-PVD Satin Gold



PVDPG-PVD Polished Gold



PVDSM-PVD Matt Black



CRS-PVD Satin Chrome



PVDSM-PVD Satin Copper

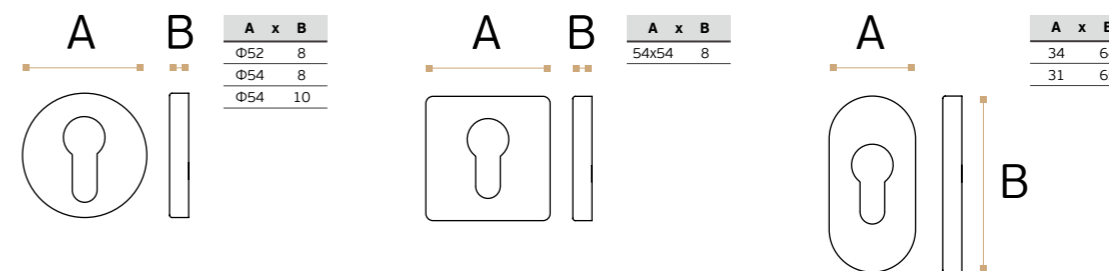
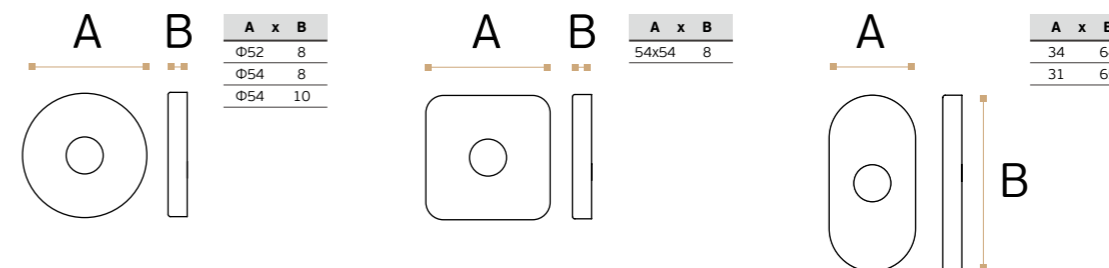


CRP-PVD Polished Chrome

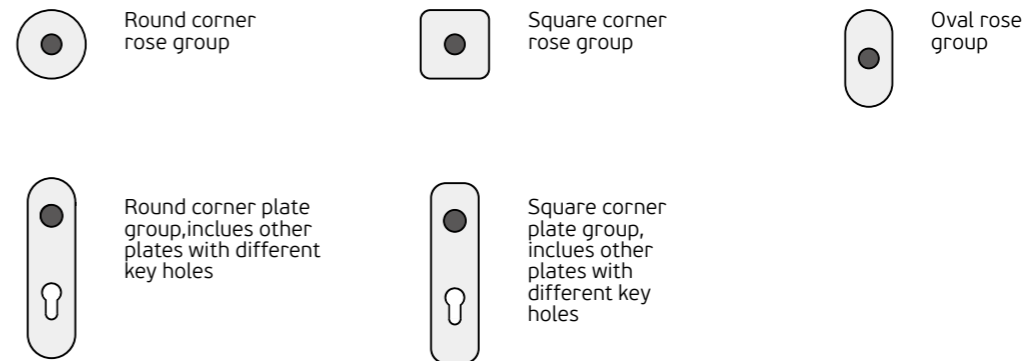
# FINISH TREATMENT

HANGFAT's factory finish paint offers a variety of popular standard color choices along with custom match options. The finish paint is applied to our quality commercial products, carefully packaged and supplied to our customer, pre-finished. Our efficient method of application and pre-finished delivery saves in money and time - from a brand you know and trust.

# ACCESSORIES COMMON SIZE



# ICON DEFINITION

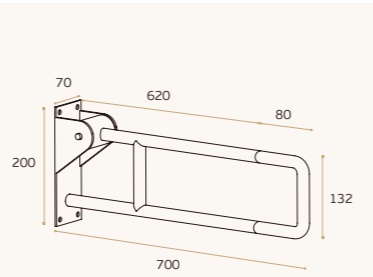


**BATHROOM**  
**ACCESSORIES**



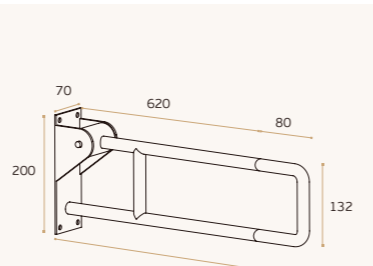
**BATHROOM ACCESSORIES /  
TOILET HANDRAIL**

NEW

**KT35-01**

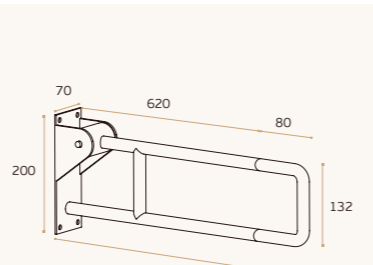
**Material:** SUS304 / SUS316  
**Type:** Toilet Handrail  
**Available Finishes:** NL / SSS / PSS  
**Application:** Bathroom

NEW

**KT35-01A**

**Material:** SUS304 / SUS316  
**Type:** Toilet Handrail  
**Available Finishes:** NL / SSS / PSS  
**Application:** Bathroom

NEW

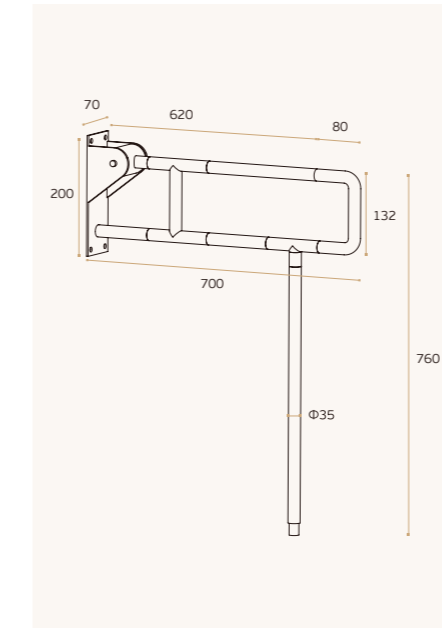
**KT35-01B**

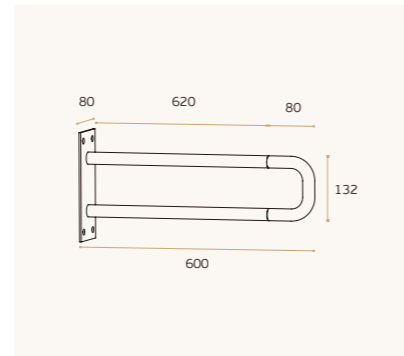
**Material:** SUS304 / SUS316  
**Type:** Toilet Handrail  
**Available Finishes:** NL / SSS / PSS  
**Application:** Bathroom

**BATHROOM ACCESSORIES /  
TOILET HANDRAIL WITH STAND****KT35-01C**

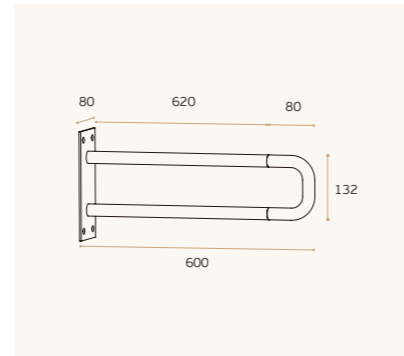
**Material:** SUS304 / SUS316  
**Type:** Toilet handrail with stand  
**Available Finishes:** NL / SSS / PSS  
**Application:** Bathroom

NEW

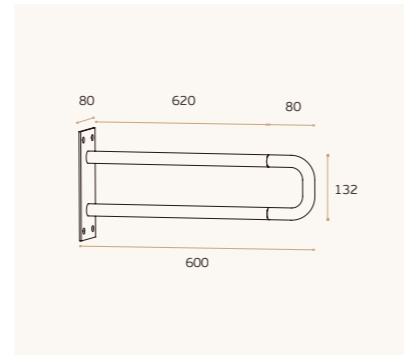


**BATHROOM ACCESSORIES /  
TOILET HANDRAIL****KT35-02**

**Material:** SUS304 / SUS316  
**Type:** Toilet Handrail  
**Available Finishes:** NL / SSS / PSS  
**Application:** Bathroom

**KT35-02A**

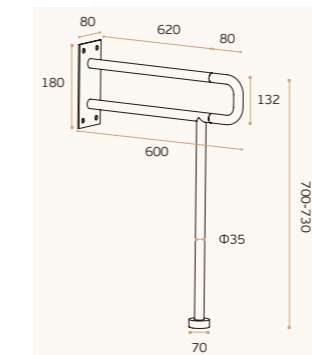
**Material:** SUS304 / SUS316  
**Type:** Toilet Handrail  
**Available Finishes:** NL / SSS / PSS  
**Application:** Bathroom

**KT35-02B**

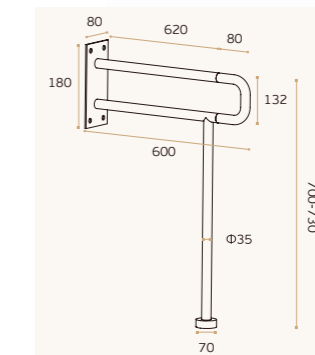
**Material:** SUS304 / SUS316  
**Type:** Toilet Handrail  
**Available Finishes:** NL / SSS / PSS  
**Application:** Bathroom

**BATHROOM ACCESSORIES /  
TOILET HANDRAIL WITH STAND****KT35-03**

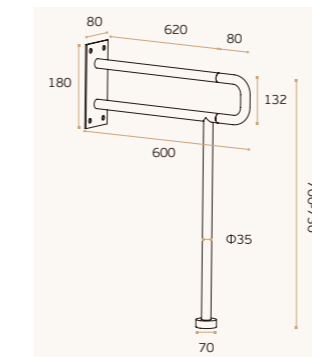
**Material:** SUS304 / SUS316  
**Type:** Toilet handrail with stand  
**Available Finishes:** NL / SSS / PSS  
**Application:** Bathroom

**KT35-03A**

**Material:** SUS304 / SUS316  
**Type:** Toilet handrail with stand  
**Available Finishes:** NL / SSS / PSS  
**Application:** Bathroom

**KT35-03B**

**Material:** SUS304 / SUS316  
**Type:** Wash Basin Handrail  
**Available Finishes:** NL / SSS / PSS  
**Application:** Bathroom

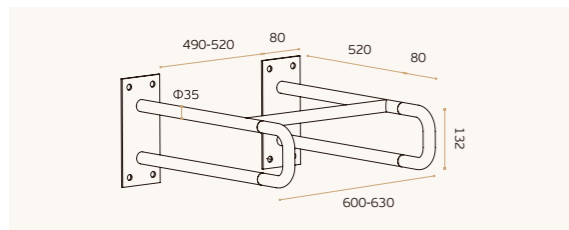


### BATHROOM ACCESSORIES / WASH BASIN HANDRAIL



#### KT35-04

**Material:** SUS304 / SUS316  
**Type:** Wash Basin Handrail  
**Available Finishes:** NL / SSS / PSS  
**Application:** Bathroom

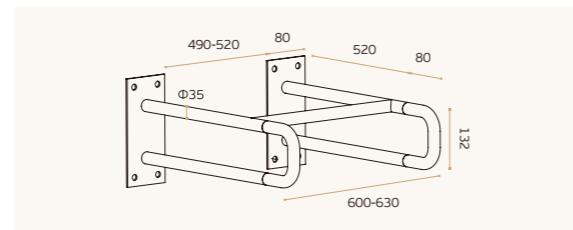


NEW



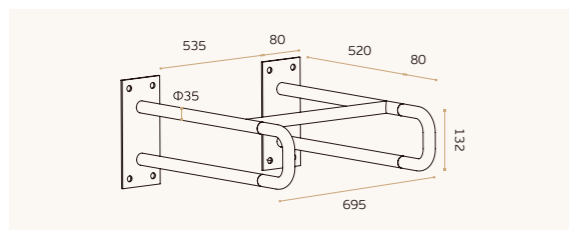
#### KT35-04A

**Material:** SUS304 / SUS316  
**Type:** Urinal handrail  
**Available Finishes:** NL / SSS / PSS  
**Application:** Bathroom



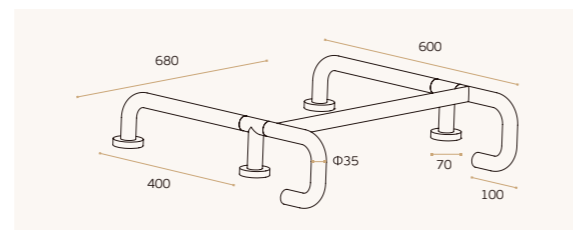
#### KT35-04B

**Material:** SUS304 / SUS316  
**Type:** Wash Basin Handrail  
**Available Finishes:** NL / SSS / PSS  
**Application:** Bathroom



#### KT35-04C

**Material:** SUS304 / SUS316  
**Type:** Urinal handrail  
**Available Finishes:** NL / SSS / PSS  
**Application:** Bathroom

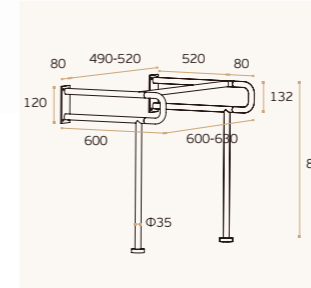


### BATHROOM ACCESSORIES / WASH BASIN HANDRAIL



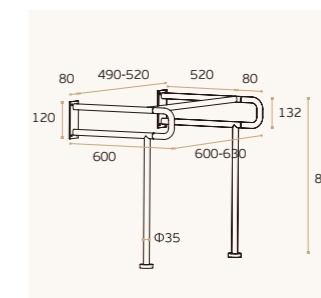
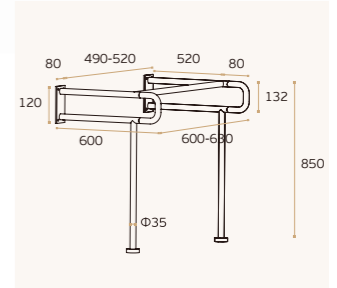
#### KT35-05

**Material:** SUS304 / SUS316  
**Type:** Toilet handrail with stand  
**Available Finishes:** NL / SSS / PSS  
**Application:** Bathroom



#### KT35-05A

**Material:** SUS304 / SUS316  
**Type:** Toilet handrail with stand  
**Available Finishes:** NL / SSS / PSS  
**Application:** Bathroom



#### KT35-05B

**Material:** SUS304 / SUS316  
**Type:** Wash Basin Handrail  
**Available Finishes:** NL / SSS / PSS  
**Application:** Bathroom

### BATHROOM ACCESSORIES / URINAL HANDRAIL

NEW

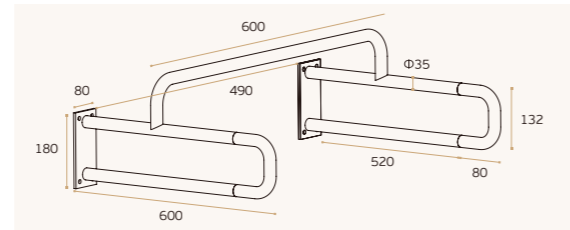
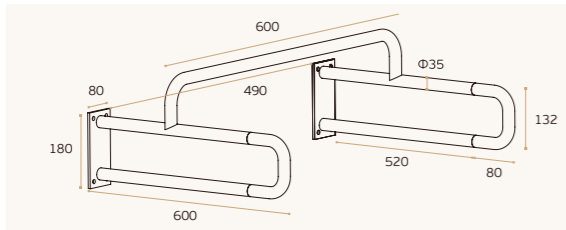


#### KT35-06

**Material:** SUS304 / SUS316  
**Type:** Urinal Handrail  
**Available Finishes:** NL / SSS / PSS  
**Application:** Bathroom

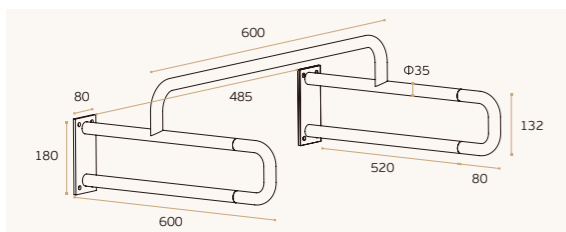
#### KT35-06A

**Material:** SUS304 / SUS316  
**Type:** Urinal Handrail  
**Available Finishes:** NL / SSS / PSS  
**Application:** Bathroom



#### KT35-06B

**Material:** SUS304 / SUS316  
**Type:** Urinal Handrail  
**Available Finishes:** NL / SSS / PSS  
**Application:** Bathroom

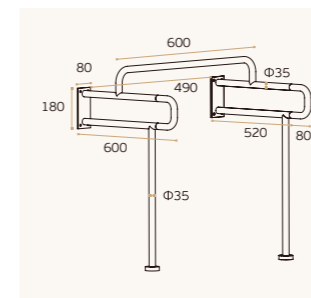


### BATHROOM ACCESSORIES / WASH BASIN HANDRAIL



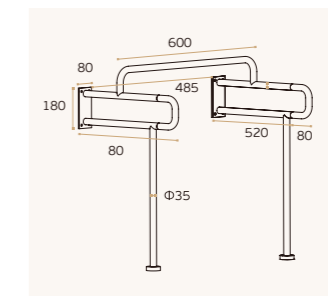
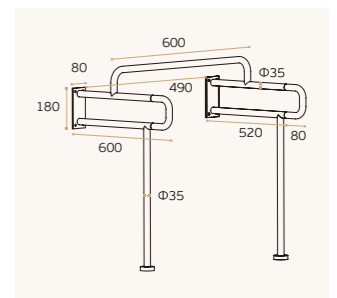
#### KT35-07

**Material:** SUS304 / SUS316  
**Type:** Urinal Handrail  
**Available Finishes:** NL / SSS / PSS  
**Application:** Bathroom



#### KT35-07A

**Material:** SUS304 / SUS316  
**Type:** Urinal Handrail  
**Available Finishes:** NL / SSS / PSS  
**Application:** Bathroom



#### KT35-07B

**Material:** SUS304 / SUS316  
**Type:** Urinal Handrail  
**Available Finishes:** NL / SSS / PSS  
**Application:** Bathroom



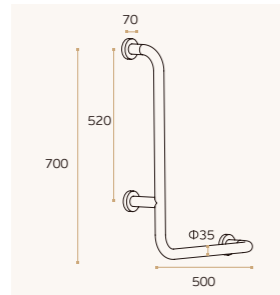
### BATHROOM ACCESSORIES / SHOWER HANDRAIL



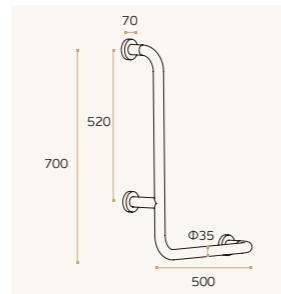
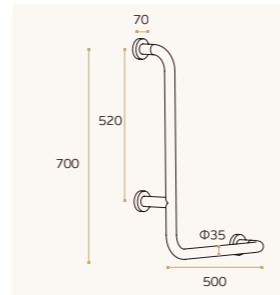
NEW



**KT35-08**  
Material: SUS304 / SUS316  
Type: Shower Handrail  
Available Finishes: NL / SSS / PSS  
Application: Bathroom



**KT35-08A**  
Material: SUS304 / SUS316  
Type: Shower Handrail  
Available Finishes: NL / SSS / PSS  
Application: Bathroom



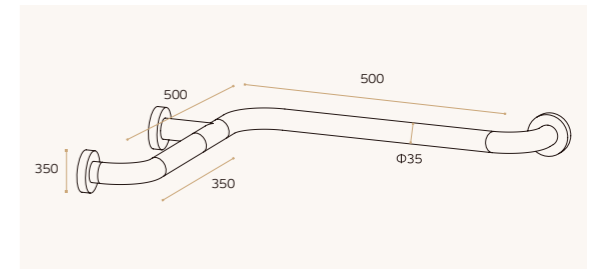
**KT35-08B**  
Material: SUS304 / SUS316  
Type: Shower Handrail  
Available Finishes: NL / SSS / PSS  
Application: Bathroom

### BATHROOM ACCESSORIES / SHOWER HANDRAIL

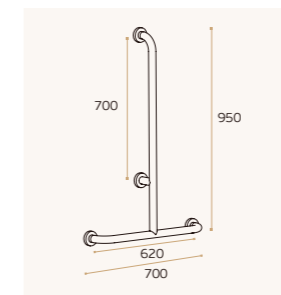
NEW



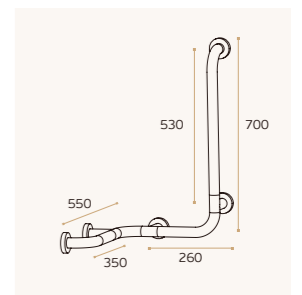
**KT35-08C**  
Material: SUS304 / SUS316  
Type: Shower Handrail  
Available Finishes: NL / SSS / PSS  
Application: Bathroom



**KT35-08D**  
Material: SUS304 / SUS316  
Type: Shower Handrail  
Available Finishes: NL / SSS / PSS  
Application: Bathroom

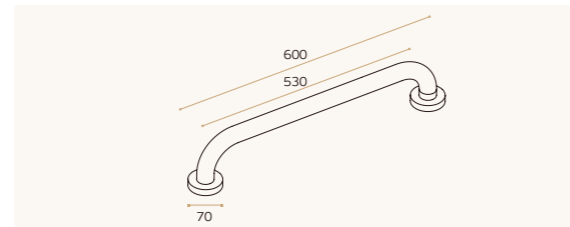


**KT35-08F**  
Material: SUS304 / SUS316  
Type: Shower Handrail  
Available Finishes: NL / SSS / PSS  
Application: Bathroom



**BATHROOM ACCESSORIES /  
BATH/SHOWER HANDRAIL****KT35-09**

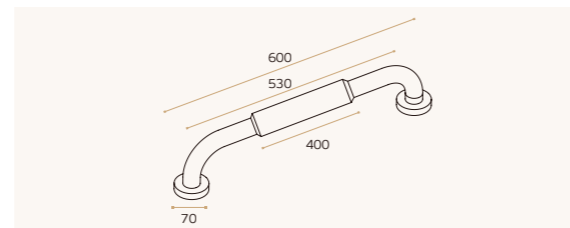
**Material:** SUS304 / SUS316  
**Type:** bath/shower handrail  
**Available Finishes:** NL / SSS / PSS  
**Application:** Bathroom



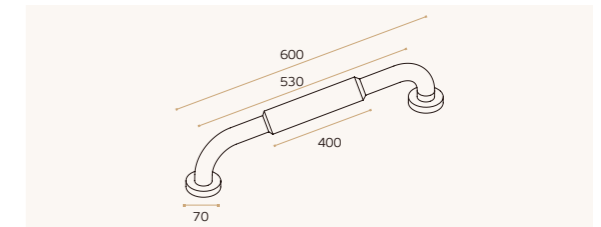
NEW

**KT35-09A**

**Material:** SUS304 / SUS316  
**Type:** bath/shower handrail  
**Available Finishes:** NL / SSS / PSS  
**Application:** Bathroom

**BATHROOM ACCESSORIES /  
SHOWER HANDRAIL****KT35-09C**

**Material:** SUS304 / SUS316  
**Type:** bath/shower handrail  
**Available Finishes:** NL / SSS / PSS  
**Application:** Bathroom



**BATHROOM ACCESSORIES /**  
**WASH BASIN**

NEW

**WB01****Material:** SUS304 / SUS316**Type:** Wash Basin**Available Finishes:** SSS / PSS / PVD-SG/PG/SB/AC**Application:** Bathroom

| L   | W   | H   |
|-----|-----|-----|
| 660 | 470 | 168 |

NEW

**WB02****Material:** SUS304 / SUS316**Type:** Wash Basin**Available Finishes:** SSS / PSS / PVD-SG/PG/SB/AC**Application:** Bathroom

| L   | W   | H   |
|-----|-----|-----|
| 750 | 500 | 190 |

[www.hangfatmetal.com](http://www.hangfatmetal.com)

**JIANGMEN HANGFAT METAL PRODUCTS FACTORY**

**Address:** Nacikeng Industrial District, Duruan Town,  
Jiangmen City, Guangdong Province, China, 529075

**Tel:** +86 750 3663332 **Fax:** +86 750 3663442

**E-mail:** [sales@hangfatmetal.com](mailto:sales@hangfatmetal.com) [mulang@hangfatmetal.com](mailto:mulang@hangfatmetal.com)

